

SPIROL®

Standard Machine Tables

SPIROL machine tables are designed to provide a rigid, heavy duty base for feeders, tracks and any additional auxiliary equipment. Rigidity and mass are important since secondary vibration reduces the efficiency and effectiveness of the feeders.

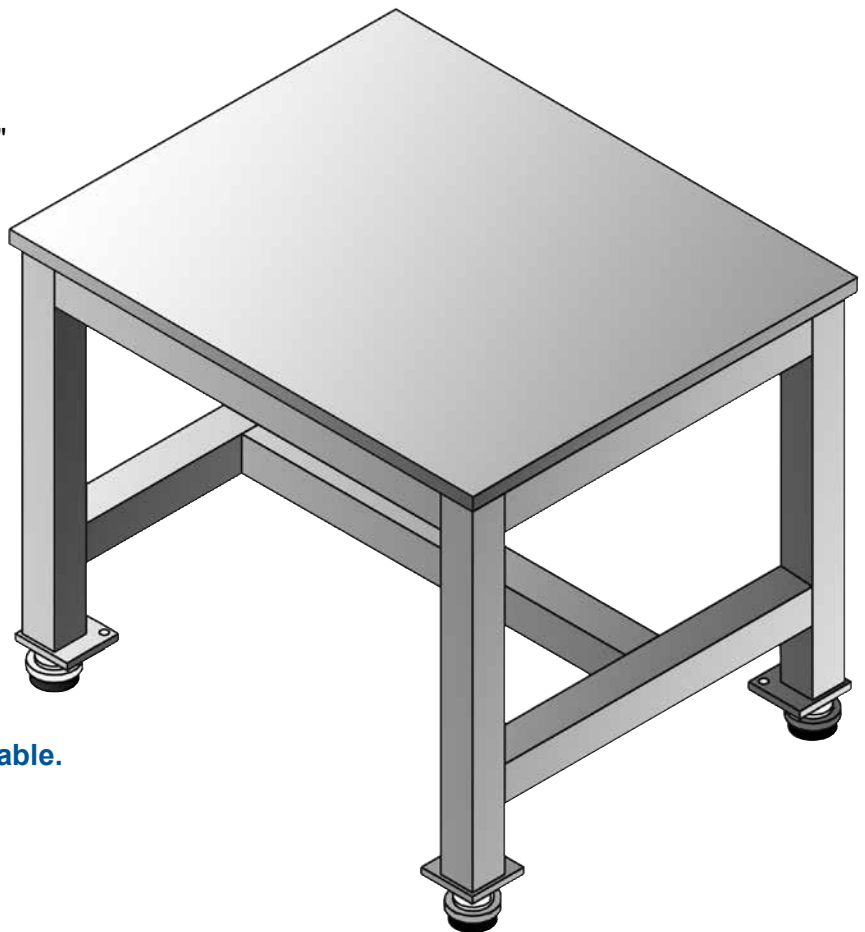
The tables are also ideal bases for **SPIROL® Pin Inserters**, **Insert Drivers** and other assembly modules.

FEATURES

- ⊙ M.I.G. welded frames of 2-1/2" square 1/4" gauge structural tubing
- ⊙ Precision ground top plates welded to frames
- ⊙ Leveling feet with 3/4" screws and jam nuts
- ⊙ Cross-bracing to accommodate lift trucks

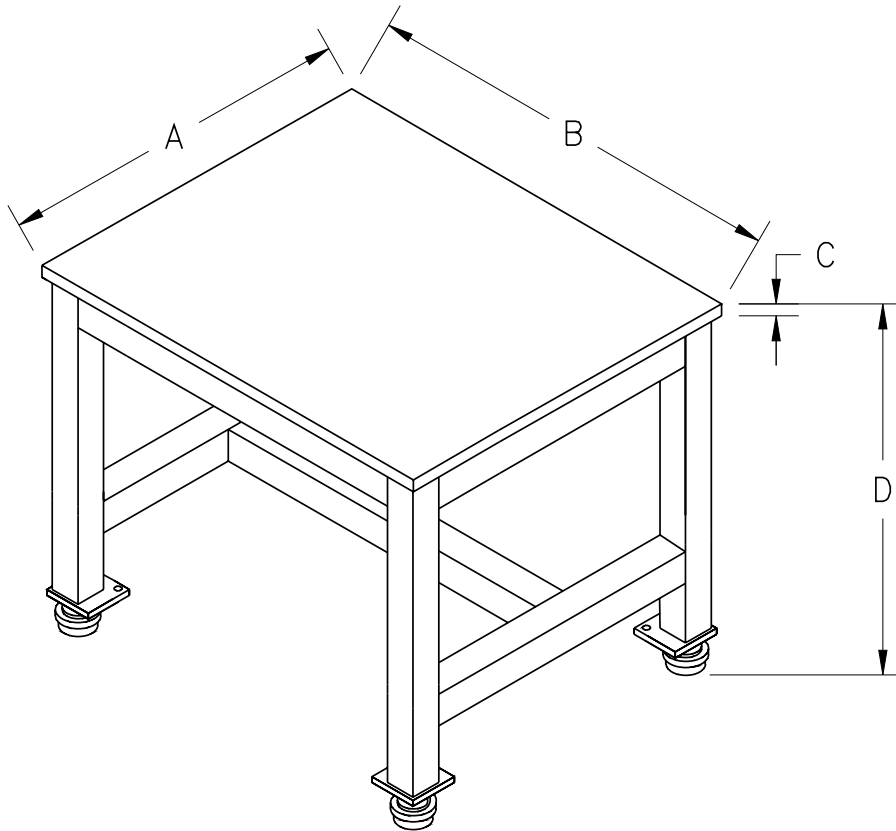
The tables are available in standard sizes for quick delivery.

Special sizes to meet specific needs are also readily available.





Standard Machine Tables



SPECIFICATIONS

A	B	C	D	ITEM NUMBER	DRAWING NUMBER	WEIGHT (LBS.)
24"	24"	1"	32"	169090-000	EP-58012	335
24"	36"			169091-000		445
30"	36"			169092-000		520
30"	48"			169093-000		650
36"	36"			169094-000		600
36"	48"			169095-000		750
48"	48"	1.5"		169096-000		1300
48"	60"			169097-000		1580

SPIROL Application Engineers will review your application needs and work with your design team to recommend the best solution. One way to start the process is to select **Installation Systems** in our **Optimal Application Engineering** portal at www.SPIROL.com.

Technical Centers

Americas

SPIROL International Corporation
30 Rock Avenue
Danielson, Connecticut 06239 U.S.A.
Tel. +1 860 774 8571
Fax. +1 860 774 2048

SPIROL Shim Division
321 Remington Road
Stow, Ohio 44224 U.S.A.
Tel. +1 330 920 3655
Fax. +1 330 920 3659

SPIROL West
1950 Compton Avenue, Suite 112
Corona, California 92881 U.S.A.
Tel. +1 951 273 5900
Fax. +1 951 273 5907

SPIROL Canada
3103 St. Etienne Boulevard
Windsor, Ontario N8W 5B1 Canada
Tel. +1 519 974 3334
Fax. +1 519 974 6550

SPIROL Mexico
Carretera a Laredo KM 16.5 Interior E
Col. Moisés Saenz
Apodaca, N.L. 66613 Mexico
Tel. +52 81 8385 4390
Fax. +52 81 8385 4391

SPIROL Brazil
Rua Mafalda Barnabé Soliane, 134
Comercial Vitória Martini, Distrito Industrial
CEP 13347-610, Indaiatuba, SP, Brazil
Tel. +55 19 3936 2701
Fax. +55 19 3936 7121

Europe

SPIROL France
Cité de l'Automobile ZAC Croix Blandin
18 Rue Léna Bernstein
51100 Reims, France
Tel. +33 3 26 36 31 42
Fax. +33 3 26 09 19 76

SPIROL United Kingdom
17 Princewood Road
Corby, Northants
NN17 4ET United Kingdom
Tel. +44 1536 444800
Fax. +44 1536 203415

SPIROL Germany
Ottostr. 4
80333 Munich, Germany
Tel. +49 89 4 111 905 71
Fax. +49 89 4 111 905 72

SPIROL Spain
08940 Cornellà de Llobregat
Barcelona, Spain
Tel. +34 93 193 05 32
Fax. +34 93 193 25 43

SPIROL Czech Republic
Sokola Tümy 743/16
Ostrava-Mariánské Hory 70900
Czech Republic
Tel/Fax. +420 417 537 979

SPIROL Poland
ul. M. Skłodowskiej-Curie 7E / 2
56-400, Oleśnica, Poland
Tel. +48 71 399 44 55

Asia Pacific

SPIROL Asia Headquarters
1st Floor, Building 22, Plot D9, District D
No. 122 HeDan Road
Wai Gao Qiao Free Trade Zone
Shanghai, China 200131
Tel. +86 21 5046 1451
Fax. +86 21 5046 1540

SPIROL Korea
160-5 Seokchon-Dong
Songpa-gu, Seoul, 138-844, Korea
Tel. +86 (0) 21 5046-1451
Fax. +86 (0) 21 5046-1540