

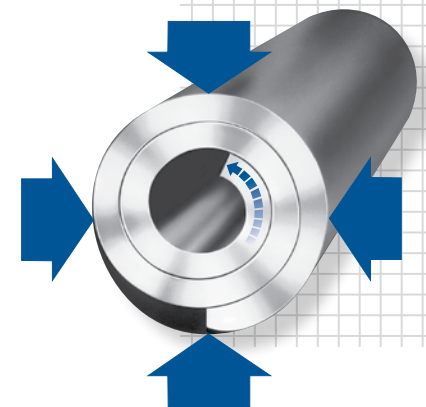
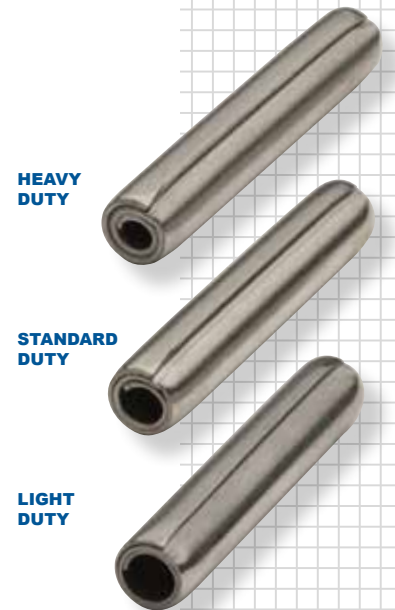
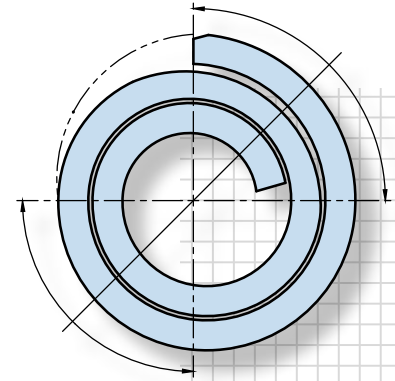
Coiled Spring Pins Offer a Unique Balance of Strength and Flexibility

by Christie L. Jones, Market Development Manager
SPIROL International Corporation

The Coiled Spring Pin was invented by Herman Koehl in 1948. Easily recognized by its unique 2¼ coil cross section, Coiled Pins are retained by radial tension when installed into the host component, and they are the only pins with uniform strength and flexibility after insertion.

Coiled Spring Pins, commonly referred to as Roll Pins, are often used in applications traditionally assembled with Solid Pins. There is a common misconception that “Solid Pins are always stronger than Coiled Pins”. The fact is, the majority of the applications use low carbon steel Solid Pins and for those that use Coiled Pins, the most common is a heat treated high carbon steel, standard duty Coiled Pin.

When comparing the strength of low carbon steel Solid Pins to the strength of high carbon steel, standard duty Coiled Pins, the Coiled Pins are stronger. This is due to the combination of the volume of the Coiled Pin material and the fact that the material is heat treated. Heat treating imparts strength and flexibility to the Coiled Pin, and results in the Coiled Pin being over 15% (on average) stronger than Solid Pins ([Table 1](#)).



PIN DIAMETER	LOW CARBON STEEL GROOVED PINS	HIGH CARBON STEEL COILED PINS	% STRONGER THAN SOLID PINS
	DOUBLE SHEAR STRENGTH IN kN		
1.5	1.2	1.45	+20.8
2	2.2	2.5	+13.6
2.5	3.5	3.9	+11.4
3	5	5.5	+10.0
4	8.8	9.6	+9.1
5	13.8	15	+8.7
6	19.9	22	+10.5
8	31.2	39	+25.0
10	48.7	62	+27.3
12	70.2	89	+26.8

Table 1: Strength of standard duty Coiled Pins compared to Solid Pins

One of the primary advantages of Coiled Pins over Solid Pins is that Coiled Pins are available in three “duties” to enable the designer to choose the optimum combination of strength, flexibility and diameter to suit different host materials and application requirements. Proper designs will ensure that the Coiled Pin is strong enough to resist the forces generated during use of the assembly, and that the pin is flexible enough to prevent any damage to the hole. The Coiled Pin distributes static and dynamic loads equally throughout its cross section without a specific point of stress concentration. Furthermore, its flexibility and shear strength are unaffected by the direction of the applied load, and therefore, the pin does not require orientation in the hole during assembly to maximize performance.

In dynamic assemblies, impact loading and wear often lead to failure in rigid components. Coiled Pins are designed to remain flexible after installation and are an active component within the assembly. The Coiled Pin’s ability to dampen shock/impact loads and vibration prevents hole damage and ultimately prolongs the useful life of an assembly.

SPIROL®

Innovative fastening solutions.
Lower assembly costs.



SPIROL Engineers are available to assist you in selecting the proper Coiled Pin for your assembly, or feel free to access our White Paper “How to Select the Proper Diameter and Duty of a Coiled Spring Pin.”

© 2017 SPIROL International Corporation

No part of this publication may be reproduced or transmitted in any form or by any means, electronically or mechanically, except as permitted by law, without written permission from Spirol International Corporation.

Technical Centers

Americas

SPIROL International Corporation
30 Rock Avenue
Danielson, Connecticut 06239 U.S.A.
Tel. +1 860 774 8571
Fax. +1 860 774 2048

SPIROL Shim Division
321 Remington Road
Stow, Ohio 44224 U.S.A.
Tel. +1 330 920 3655
Fax. +1 330 920 3659

SPIROL Canada
3103 St. Etienne Boulevard
Windsor, Ontario N8W 5B1 Canada
Tel. +1 519 974 3334
Fax. +1 519 974 6550

SPIROL Mexico
Carretera a Laredo KM 16.5 Interior E
Col. Moisés Saenz
Apodaca, N.L. 66613 Mexico
Tel. +52 81 8385 4390
Fax. +52 81 8385 4391

SPIROL Brazil
Rua Mafalda Barnabé Soliane, 134
Comercial Vitória Martini, Distrito Industrial
CEP 13347-610, Indaiatuba, SP, Brazil
Tel. +55 19 3936 2701
Fax. +55 19 3936 7121

Europe

SPIROL France
Cité de l'Automobile ZAC Croix Blandin
18 Rue Léna Bernstein
51100 Reims, France
Tel. +33 3 26 36 31 42
Fax. +33 3 26 09 19 76

SPIROL United Kingdom
17 Princewood Road
Corby, Northants
NN17 4ET United Kingdom
Tel. +44 1536 444800
Fax. +44 1536 203415

SPIROL Germany
Ottostr. 4
80333 Munich, Germany
Tel. +49 89 4 111 905 71
Fax. +49 89 4 111 905 72

SPIROL Spain
08940 Cornellà de Llobregat
Barcelona, Spain
Tel. +34 93 193 05 32
Fax. +34 93 193 25 43

SPIROL Czech Republic
Sokola Tůmy 743/16
Ostrava-Mariánské Hory 70900
Czech Republic
Tel/Fax. +420 417 537 979

SPIROL Poland
ul. M. Skłodowskiej-Curie 7E / 2
56-400, Oleśnica, Poland
Tel. +48 71 399 44 55

Asia Pacific

SPIROL Asia Headquarters
1st Floor, Building 22, Plot D9, District D
No. 122 HeDan Road
Wai Gao Qiao Free Trade Zone
Shanghai, China 200131
Tel. +86 21 5046 1451
Fax. +86 21 5046 1540

SPIROL Korea
160-5 Seokchon-Dong
Songpa-gu, Seoul, 138-844, Korea
Tel. +86 (0) 21 5046-1451
Fax. +86 (0) 21 5046-1540

e-mail: info@spirol.com

SPIROL.com